

# Precision slides, hand driven



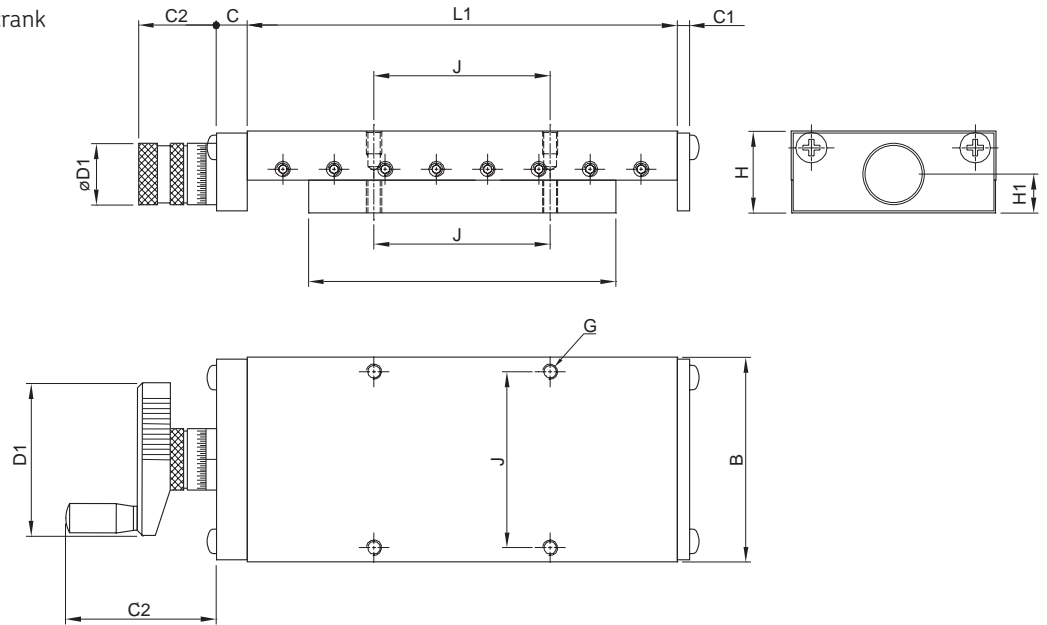
## 5 Positioning systems

### Precision slides

#### Precision slides

##### RSM / RSK

Precision tables for manual operation with micrometer knurl RSM, with hand crank RSK



Designations	Dimensions			Stroke				Screw					Load-carrying capacities	Weight		
	B	H	L <sub>1</sub>	L <sub>2</sub>	S	C	C <sub>1</sub>	C <sub>2</sub>	D <sub>1</sub>	H <sub>1</sub>	Ø	J			G	N
mm															kN	kg
RSM50.080.025	50	25	80	55	25	14	5	37.5	23	12.3	M6×1	37	M4	4.5	1.70	0.7
RSM50.130.025	50	25	130	105	25	14	5	37.5	23	12.3	M6×1	37	M4	4.5	3.30	1.1
RSM50.130.050	50	25	130	80	50	14	5	37.5	23	12.3	M6×1	37	M4	4.5	2.50	1.0
RSM50.130.075	50	25	130	55	75	14	5	37.5	23	12.3	M6×1	37	M4	4.5	1.70	0.9
RSM50.180.075	50	25	180	105	75	14	5	37.5	23	12.3	M6×1	37	M4	4.5	3.30	1.3
RSM50.180.100	50	25	180	80	100	14	5	37.5	23	12.3	M6×1	37	M4	4.5	2.50	1.2
RSM75.130.025	75	32	130	105	25	15	6	46.0	30	15	M10×1	62	M4	4.5	3.40	2.2
RSK75.130.025	75	32	130	105	25	15	6	88.0	71	15	M10×1	62	M4	4.5	3.40	2.2
RSM75.180.050	75	32	180	130	50	15	6	46.0	30	15	M10×1	62	M4	4.5	5.10	3.0
RSK75.180.050	75	32	180	130	50	15	6	88.0	71	15	M10×1	62	M4	4.5	5.10	3.0
RSM75.180.025	75	32	180	150	50	15	6	46.0	30	15	M10×1	62	M4	4.5	4.25	2.8
RSK75.180.025	75	32	180	150	50	15	6	88.0	71	15	M10×1	62	M4	4.5	4.25	2.8
RSM75.180.075	75	32	180	105	75	15	6	46.0	30	15	M10×1	62	M4	4.5	3.40	2.6
RSK75.180.075	75	32	180	105	75	15	6	88.0	71	15	M10×1	62	M4	4.5	3.40	2.6
RSM75.230.075	75	32	230	155	75	15	6	46.0	30	15	M10×1	62	M4	4.5	5.10	3.4
RSK75.230.075	75	32	230	155	75	15	6	88.0	71	15	M10×1	62	M4	4.5	5.10	3.4
RSM75.230.075	75	32	230	130	100	15	6	46.0	30	15	M10×1	62	M4	4.5	4.25	3.3
RSK75.230.075	75	32	230	130	100	15	6	88.0	71	15	M10×1	62	M4	4.5	4.25	3.3
RSM75.230.075	75	32	230	105	125	15	6	46.0	30	15	M10×1	62	M4	4.5	3.40	3.1
RSK75.230.075	75	32	230	105	125	15	6	88.0	71	15	M10×1	62	M4	4.5	3.40	3.1

continued

continued

Designations	Dimensions				Stroke				Screw						Load-carrying capacities	Weight	
	B	H	L <sub>1</sub>	L <sub>2</sub>	S	C	C <sub>1</sub>	C <sub>2</sub>	D <sub>1</sub>	H <sub>1</sub>	Ø	J	G	N			C <sub>0</sub>
	mm																kN
RSM100.260.050	100	40	260	210	50	15	6	46	30	15.5	M10×1	74	M6	6.6	8.8	6.8	
RSK100.260.050	100	40	260	210	50	15	6	88	71	15.5	M10×1	74	M6	6.6	8.8	6.8	
RSM100.310.050	100	40	310	260	50	15	6	46	30	15.5	M10×1	74	M6	6.6	10.9	8.2	
RSK100.310.050	100	40	310	260	50	15	6	88	71	15.5	M10×1	74	M6	6.6	10.9	8.2	
RSM100.360.050	100	40	360	310	50	15	6	46	30	15.5	M10×1	74	M6	6.6	13.0	9.6	
RSK100.360.050	100	40	360	310	50	15	6	88	71	15.5	M10×1	74	M6	6.6	13.0	9.6	
RSM100.310.100	100	40	310	210	100	15	6	46	30	15.5	M10×1	74	M6	6.6	8.8	7.5	
RSK100.310.100	100	40	310	210	100	15	6	88	71	15.5	M10×1	74	M6	6.6	8.8	7.5	
RSM100.360.100	100	40	360	260	100	15	6	46	30	15.5	M10×1	74	M6	6.6	10.9	8.9	
RSK100.360.100	100	40	360	260	100	15	6	88	71	15.5	M10×1	74	M6	6.6	10.9	8.9	
RSM100.410.100	100	40	410	310	100	15	6	46	30	15.5	M10×1	74	M6	6.6	13.0	10.0	
RSK100.410.100	100	40	410	310	100	15	6	88	71	15.5	M10×1	74	M6	6.6	13.0	10.0	
RSM100.360.150	100	40	360	210	150	15	6	46	30	15.5	M10×1	74	M6	6.6	8.8	8.2	
RSK100.360.150	100	40	360	210	150	15	6	88	71	15.5	M10×1	74	M6	6.6	8.8	8.2	
RSM100.410.150	100	40	410	260	150	15	6	46	30	15.5	M10×1	74	M6	6.6	10.9	9.6	
RSK100.410.150	100	40	410	260	150	15	6	88	71	15.5	M10×1	74	M6	6.6	10.9	9.6	
RSM100.460.150	100	40	460	310	150	15	6	46	30	15.5	M10×1	74	M6	6.6	13.0	11.0	
RSK100.460.150	100	40	460	310	150	15	6	88	71	15.5	M10×1	74	M6	6.6	13.0	11.0	
RSM100.460.200	100	40	460	260	200	15	6	46	30	15.5	M10×1	74	M6	6.6	10.9	10.0	
RSK100.460.200	100	40	460	260	200	15	6	88	71	15.5	M10×1	74	M6	6.6	10.9	10.0	
RSM150.410.100	150	50	410	310	100	20	8	63	47	24.0	Tr16×2	116	M8	9	53.0	20.0	
RSK150.410.100	150	50	410	310	100	20	8	122	102	24.0	Tr16×2	116	M8	9	53.0	20.0	
RSM150.510.100	150	50	510	410	100	20	8	63	47	24.0	Tr16×2	116	M8	9	71.0	25.0	
RSK150.510.100	150	50	510	410	100	20	8	122	102	24.0	Tr16×2	116	M8	9	71.0	25.0	
RSM150.610.100	150	50	610	510	100	20	8	63	47	24.0	Tr16×2	116	M8	9	88.0	30.0	
RSK150.610.100	150	50	610	510	100	20	8	122	102	24.0	Tr16×2	116	M8	9	88.0	30.0	
RSM150.510.200	150	50	510	310	200	20	8	63	47	24.0	Tr16×2	116	M8	9	53.0	22.0	
RSK150.510.200	150	50	510	310	200	20	8	122	102	24.0	Tr16×2	116	M8	9	53.0	22.0	
RSM150.610.200	150	50	610	410	200	20	8	63	47	24.0	Tr16×2	116	M8	9	71.0	28.0	
RSK150.610.200	150	50	610	410	200	20	8	122	102	24.0	Tr16×2	116	M8	9	71.0	28.0	
RSM150.710.200	150	50	710	510	200	20	8	63	47	24.0	Tr16×2	116	M8	9	88.0	33.0	
RSK150.710.200	150	50	710	510	200	20	8	122	102	24.0	Tr16×2	116	M8	9	88.0	33.0	
RSM150.610.300	150	50	610	310	300	20	8	63	47	24.0	Tr16×2	116	M8	9	53.0	25.0	
RSK150.610.300	150	50	610	310	300	20	8	122	102	24.0	Tr16×2	116	M8	9	53.0	25.0	
RSM150.710.300	150	50	710	410	300	20	8	63	47	24.0	Tr16×2	116	M8	9	71.0	30.0	
RSK150.710.300	150	50	710	410	300	20	8	122	102	24.0	Tr16×2	116	M8	9	71.0	30.0	
RSM150.810.300	150	50	810	510	300	20	8	63	47	24.0	Tr16×2	116	M8	9	88.0	36.0	
RSK150.810.300	150	50	810	510	300	20	8	122	102	24.0	Tr16×2	116	M8	9	88.0	36.0	
RSM150.810.400	150	50	810	410	400	20	8	63	47	24.0	Tr16×2	116	M8	9	71.0	33.0	
RSK150.810.400	150	50	810	410	400	20	8	122	102	24.0	Tr16×2	116	M8	9	71.0	33.0	

## Slides, tables and compact cross tables

### Ordering key

**R** **SS**  -  -  -  -

#### Type:

Precision slides with rail guide system, crossed rollers ..... R  
 Dovetail slides ..... S  
 Compact cross tables with rail guide system, crossed rollers ..... T

#### Versions:

Only valid for dovetail tables:  
 For manual operation, with micrometer knurl ..... SM  
 For manual operation, with hand crank ..... SK

#### Only valid for precision tables:

For manual operation, with micrometer knurl ..... SM  
 For manual operation, with hand crank ..... SK  
 For motor drive ..... SS

#### Only valid for compact cross tables:

For manual operation, without drive ..... 0  
 For manual operation, with micrometer knurl ..... S

#### Table width B [mm] (see tables):

..... 85 - 300

#### Length L1 or dimension Sx Sy [mm]:

L1 for dovetail and precision slides ..... 80 - 1010  
 Sx Sy for compact cross tables ..... 025, 050, 100

#### Nominal stroke [mm] (not for compact cross tables):

See tables

#### Designation suffix if desired:

Slides or tables made of aluminium, black anodised ..... A  
 Slides with thick top: only for precision slides ..... D  
 Slides with thick top and T-slots: dovetail and precision slides ..... DT

Locking device for dovetail slides (standard) ..... AR 1  
 Locking device for precision slides and tables ..... AR 2  
 Locking device for compact cross tables (standard) ..... AR 3

#### For motor drive only:

Preloaded planetary roller screw for RSS - slides ..... R

#### Screw diameter Ø in mm:

Precision tables for RSS - slides ..... 8 - 20

#### Screw lead:

1 - 5 mm for RSS - slides ..... 01 - 15

Example 1: **R** **SS** **200** - **710** - **300** -  - **R** **1202**

Example 2: **R** **SK** **50** - **080** - **025**

Example 3: **S** **SM** **300** - **010** - **500** - **AR1**

Example 4: **S** **SK** **50** - **080** - **025** - **AR1**

Example 5: **T** **0** **085** - **050** -  - **AR3**